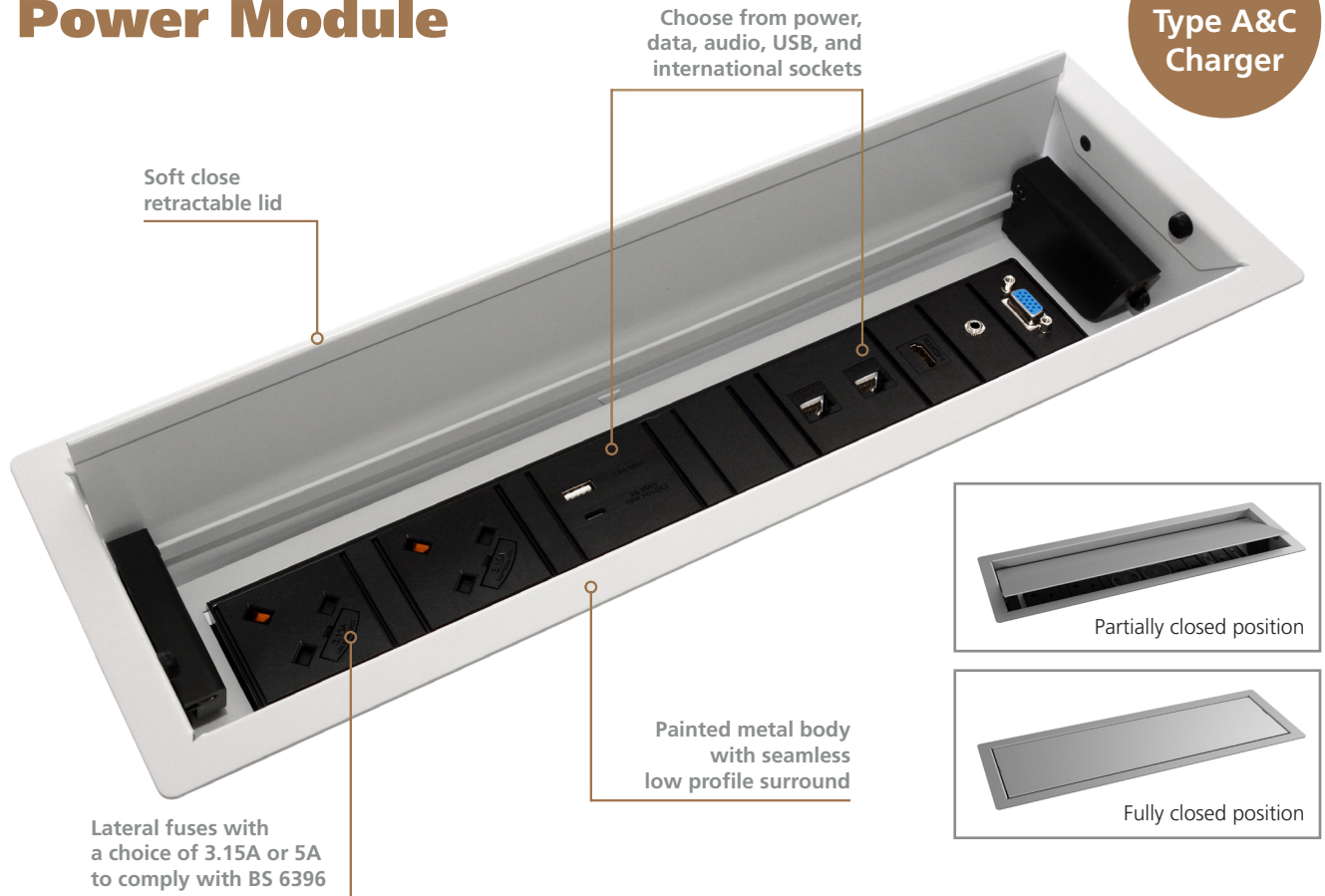


Reveal is the perfect solution for providing power and data sockets in boardrooms and office environments. The unit is available in a selection of finishes and features a soft opening lid mechanism to create a quality finish. The dual action lid mechanism also creates a generous shadow gap for cable exit whilst offering a seamless appearance when not in use.

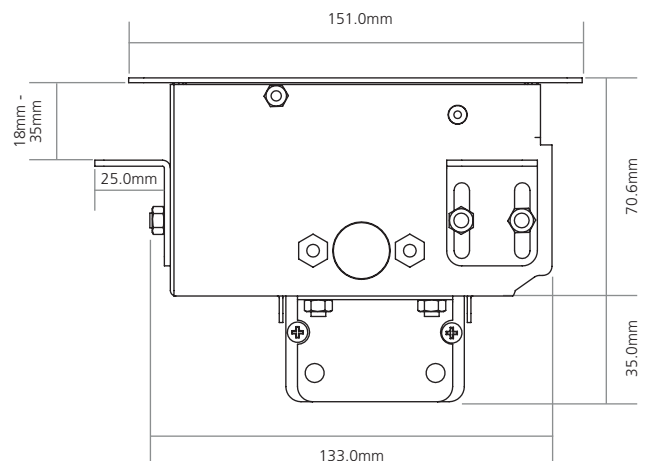
Reveal Power Module

Now with
Type A&C
Charger



Features

- Seamless low profile surround available in black, grey and white painted finish
- Available in two sizes; small is 341mm x 151mm (cut out size 328mm x 134mm) and large is 441mm x 151mm (cut out size 428mm x 134mm). A scaled cut out template is available on request
- Smooth action lid that retracts to allow access from both sides
- Fitting from above and locked into position using under desk fixings
- All UK power socket versions feature individual fuses
- Unit complies with BS 5733
- All standard options are supplied with a 1m mains lead to 3 pole connector
- All UK sockets feature integral fuses. Choice of 3.15A or 5A fuses are available to comply with BS 6396
- Designed to fit desk thicknesses ranging from 18mm to 35mm





UK Code	Schuko Code	Colour	Description
78050001	Please call	Black	2 x power, 1 x Twin port 5A USB charger, 1 x HDMI, 3m HDMI lead, 1m mains lead to 3 pole connector. Small, 341mm x 151mm
78050002	Please call	Grey	2 x power, 1 x Twin port 5A USB charger, 1 x HDMI, 3m HDMI lead, 1m mains lead to 3 pole connector. Small, 341mm x 151mm
78050003	Please call	White	2 x power, 1 x Twin port 5A USB charger, 1 x HDMI, 3m HDMI lead, 1m mains lead to 3 pole connector. Small, 341mm x 151mm
78050004	Please call	Black	2 x power, 1 x Twin port 5A USB charger, 2 C6 I/L, 1 x HDMI, 1 x VGA, 1 x mini jack, 3m A/V and Data leads, 1m mains lead to 3 pole connector. Large, 441mm x 151mm
78050005	Please call	Grey	2 x power, 1 x Twin port 5A USB charger, 2 C6 I/L, 1 x HDMI, 1 x VGA, 1 x mini jack, 3m A/V and Data leads, 1m mains lead to 3 pole connector. Large, 441mm x 151mm
78050006	Please call	White	2 x power, 1 x Twin port 5A USB charger, 2 C6 I/L, 1 x HDMI, 1 x VGA, 1 x mini jack, 3m A/V and Data leads, 1m mains lead to 3 pole connector. Large, 441mm x 151mm

UK Code	Schuko Code	Colour	Description
78AC0001	Please call	Black	2 x Power, 1 x Twin port Type A and C USB charger, 1 x HDMI, 3m HDMI lead, 1m mains lead to 3 pole connector. Small, 341mm x 151mm
78AC0002	Please call	Grey	2 x Power, 1 x Twin port Type A and C USB charger, 1 x HDMI, 3m HDMI lead, 1m mains lead to 3 pole connector. Small, 341mm x 151mm
78AC0003	Please call	White	2 x Power, 1 x Twin port Type A and C USB charger, 1 x HDMI, 3m HDMI lead, 1m mains lead to 3 pole connector. Small, 341mm x 151mm
78AC0004	Please call	Black	2 x Power, 1 x Twin port Type A and C USB charger, 2 C6 I/L, 1 x HDMI, 1 x VGA, 1 x mini jack, 3m A/V and Data leads, 1m mains lead to 3 pole connector. Large, 441mm x 151mm
78AC0005	Please call	Grey	2 x Power, 1 x Twin port Type A and C USB charger, 2 C6 I/L, 1 x HDMI, 1 x VGA, 1 x mini jack, 3m A/V and Data leads, 1m mains lead to 3 pole connector. Large, 441mm x 151mm
78AC0006	Please call	White	2 x Power, 1 x Twin port Type A and C USB charger, 2 C6 I/L, 1 x HDMI, 1 x VGA, 1 x mini jack, 3m A/V and Data leads, 1m mains lead to 3 pole connector. Large, 441mm x 151mm



Build it your way

Please see page 31 for more information.



Manage your energy

Configure to allow energy to be monitored and controlled with Footprint. See page 73 for more details.

Cables: White and grey modules are supplied with white cables and black modules are supplied with black cables.

Data Cables: CMD cannot accept any responsibility or liability for providing category 6 performance in products supplied. CMD cannot accept any responsibility or liability for providing HDMI performance in products supplied over 5m in length.

Fuses: Only accessible after removal of equipment plug. Lead lengths shown will be the conductor length and not the distance from the end of the module to the plug. For example, a 3m prewired power lead will be approximately 2.875m as 125mm will be internal for the termination. This is also applicable for data leads. Data fascias may be subject to colour change.