

This new version of Porthole has been designed to support a range of UK and international sockets and comes complete with integral 4A USB power supply. The 2 port USB power supply, which is capable of charging all leading mobile phones and tablets, is designed to share the power when two devices are connected but can deliver a maximum 4A to a single USB socket when only one device is connected.



Main features

1. Available in a choice of black, grey or white with matching surround (other combinations are available subject to MOQ and lead times).
2. Fully integrated 4A USB PCB providing max 4A to a single USB socket when only one device is connected.
3. Easy to retrofit, incorporates an under desk, hand tightened barrel nut to fix unit in place.
4. Designed to connect to your existing desk power systems.
5. Independently tested to IEC 60950-1 - Information technology equipment – Safety.

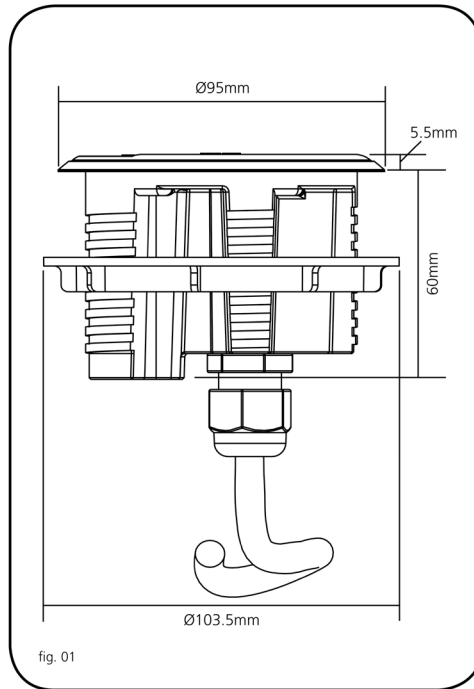


fig. 01

Fixing Instructions

1. The module has been designed to fit any precut 80mm grommet hole.
2. The PortHole IV module is supplied with a hand tight fixing nut which must be removed before fitting (fig. 02).
3. The cable and module must be passed through the 80mm hole so that the hand tight fixing nut can be re-attached and tightened on the underside of the desk.
4. The module can then be connected to the power supply by a suitably qualified person.
5. PortHole IV has been designed to fit desk thicknesses between 12mm and 42mm.

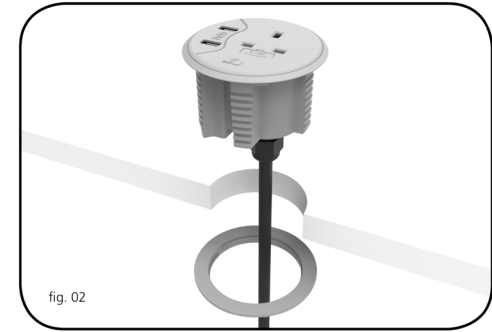


fig. 02

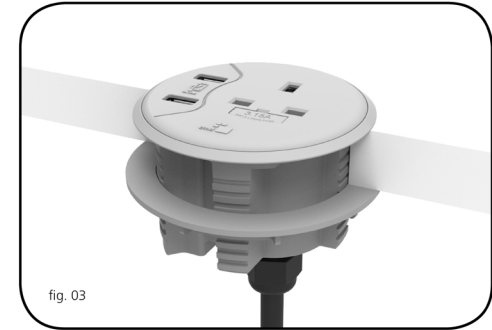


fig. 03

Cleaning, Storage & Maintenance

Service Components	Available to order.
Cleaning & Maintenance	Dry cloth, no abrasives or solvents to be used on the module surface.
Handling & Storage	Do not drop or expose to moisture.

Warning

- Do not use this product for any purpose other than which it was designed for.
- Do not over tighten the fixing nut.
- All electrical cables should be fitted by a qualified electrician.
- Do not attach power before fitting.
- Do not dismantle or remodel the power module.