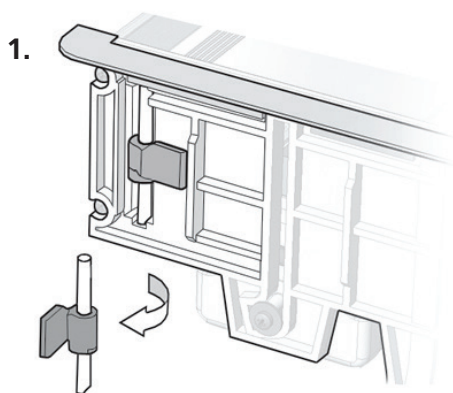




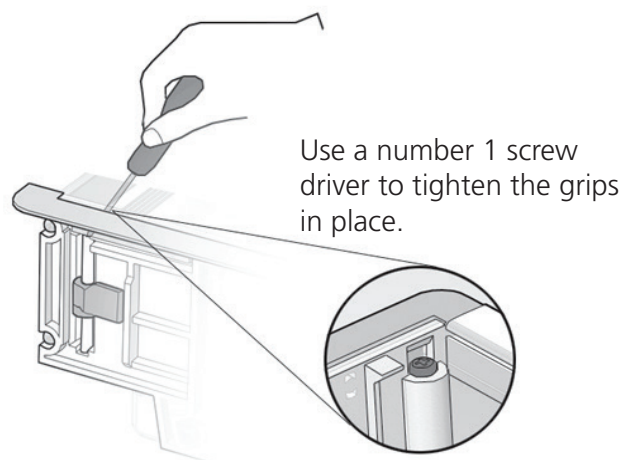
Horizon

Fixing



Once set in a desk, rotate the grips outwards.

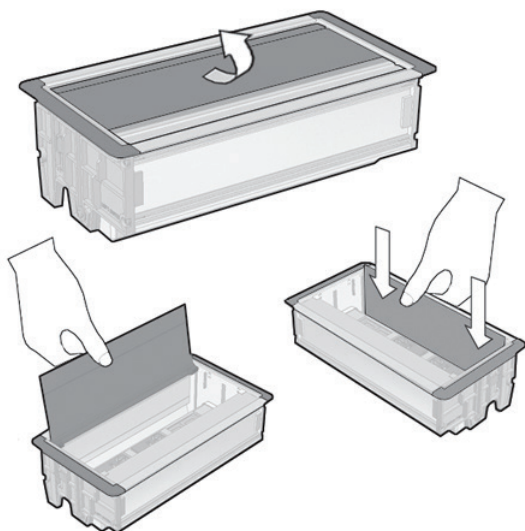
2.



Use a number 1 screw driver to tighten the grips in place.

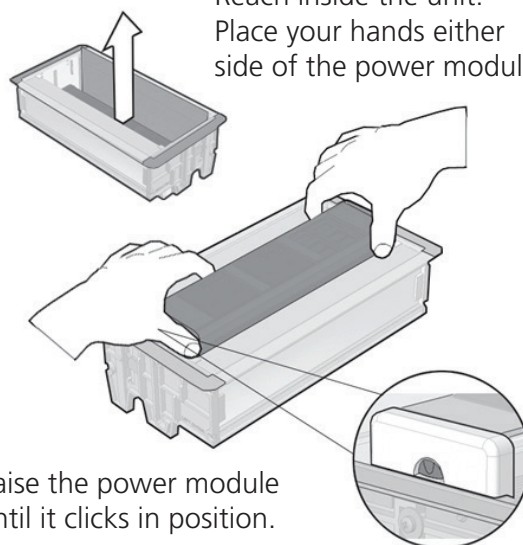
Lid Movement

To open the lid, hold in the centre and pivot. Then slide the lid down inside the module.



Power Module

Reach inside the unit. Place your hands either side of the power module.



Raise the power module until it clicks in position.

To lower the power module depress both the side buttons.

Warning

Do not use this product for any purpose other than which it was designed for.

All electrical cables should be fitted by a qualified electrician.

Do not dismantle or remodel the power module.

Cleaning, Storage & Maintenance

Cleaning & Maintenance

Dry cloth, no abrasives or solvents to be used on the module surface.

Handling & Storage

Do not drop or expose to moisture.