

## Enclose CPU Support

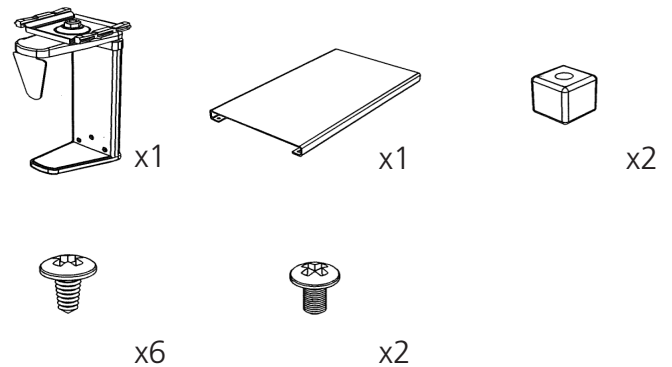
### Description

Enclose CPU holder offers a simple install yet robust solution for keeping the CPU out of the way and free from damage. Made from high quality aluminium for improved lifetime longevity, simple handle adjustment for either height or width; a full 360 degrees slide and rotation feature.

### Cleaning Storage & Maintenance

Small Parts	This product does contain small parts & should be kept out of reach from young children while being assembled
Service Components	Available to order
Cleaning & Maintenance	Damp cloth, no abrasives or solvents to be used on the cosmetic surfaces. Never use strong detergents or abrasive cleaners as may damage surface finish
Handling & Storage	Do not drop or expose to moisture

### Contents



### Warning

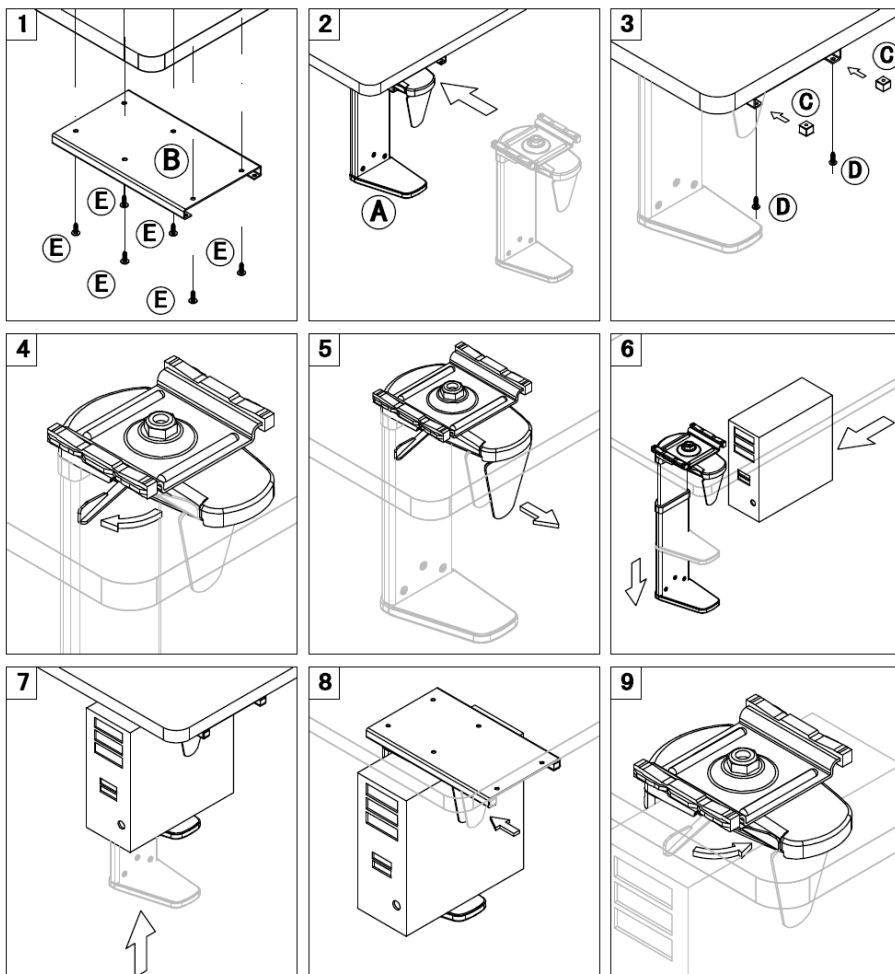
Minimum CPU dimensions available: 280mm x 55mm  
Maximum CPU dimensions available: 380mm x 125mm

Supports CPU weights up to 8kgs - subject to desk material

Minimum desk thickness is 15mm

The mount screws directly to the underside of the worksurface

### Assembly Instructions



## Enclose CPU Support

