

Conti is a completely configurable desk power system, designed specifically to meet the increasing power and communication needs of the modern office. Modules have been designed with speed of installation and flexibility in mind. Its many unique design features enable a vast choice of power and data options to fulfil most specifications. A choice of either metal or plastic extrusion is available.

Conti Power Module

In-feeds

- Tap Offs
- Hard Wired to mains cable (3 and 4 pole) in 1.5mm², 2.5mm² and 4.0mm²
- SY cable 1.5mm² and 2.5mm²
- 16mm and 20mm Flexible conduit (i.e. tap off)
- Connector block 16A and 32A (for self wiring)
- 3 Pole Connector Panel mount (3 and 4 pole)
- Neutrik Panel mount (20A and 32A)
- GST connectors

Protection

- Std mains fuse (10A and 13A)
- MCB (various std ratings) - Grey, White and Black shrouds available
- RCD/RCBO (various std ratings)
- Surge Filter
- Mains conditioning filter
- RFI filter

Out-feeds

- 3 and 4 Pole Connector

Data

- RJ11
- RJ45 (Cat6 and Cat6a)
- Lj6C (telecom)

Construction

- Plastic (89 Series)
- Metal (86 Series)

Other

- USB
- 3.5mm Audio
- Phono Socket
- SVGA
- S Video
- HDMI
- Co Axial
- 9 Pin 'D Type'
- F Type Connector
- BT Tel
- RJ11 Tel Shuttered
- RJ45 Cat6 and Cat6a
- Ethernet BNC
- Footprint

Sockets

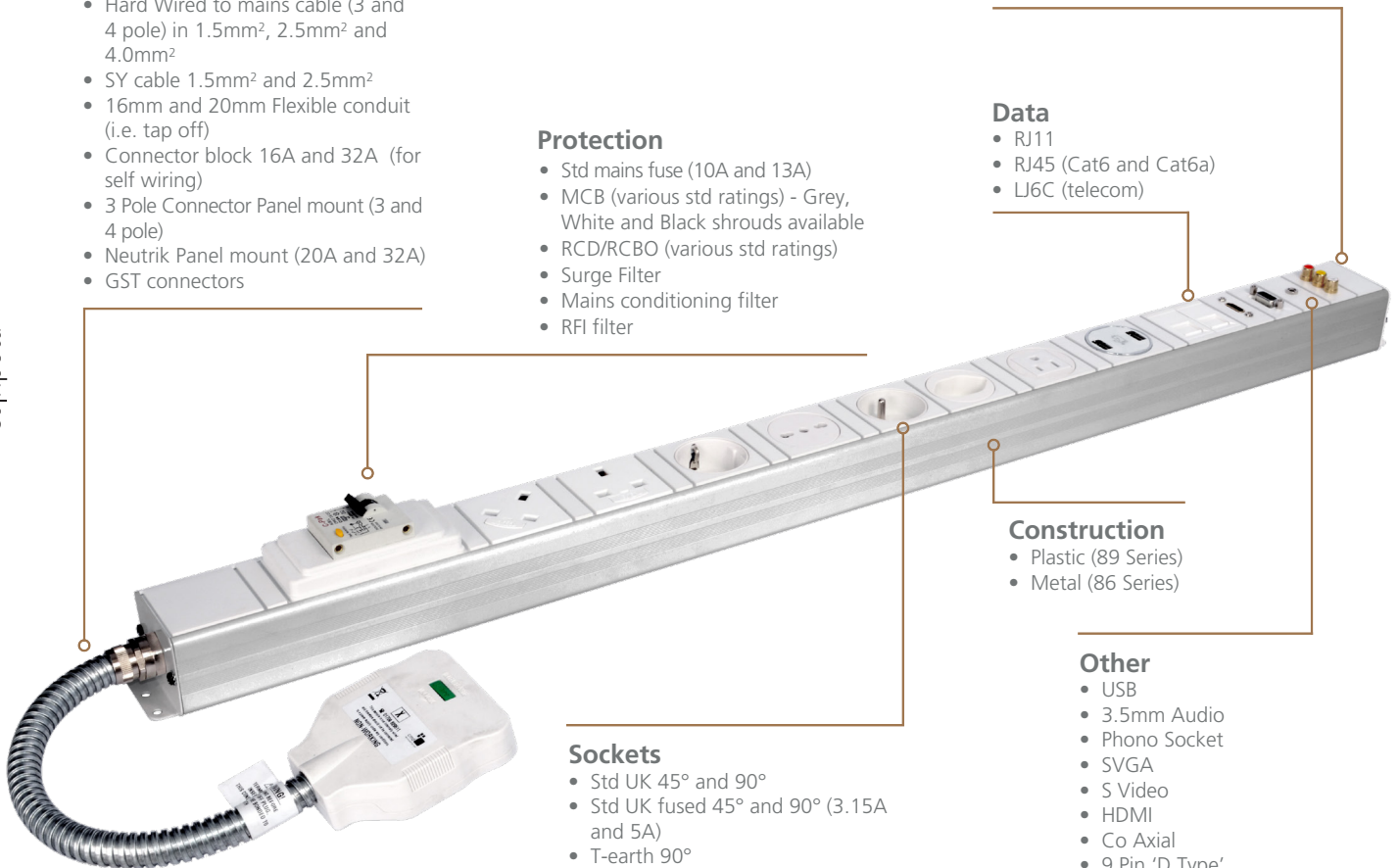
- Std UK 45° and 90°
- Std UK fused 45° and 90° (3.15A and 5A)
- T-earth 90°
- T-earth 90° fused (3.15A and 5A)
- Round-earth 90°
- Round earth fused 45° and 90°
- 3.15A and 5A
- French / Belgian
- Swiss
- American
- Danish
- Indian 6A
- IEC C13 and C19
- German
- Italian

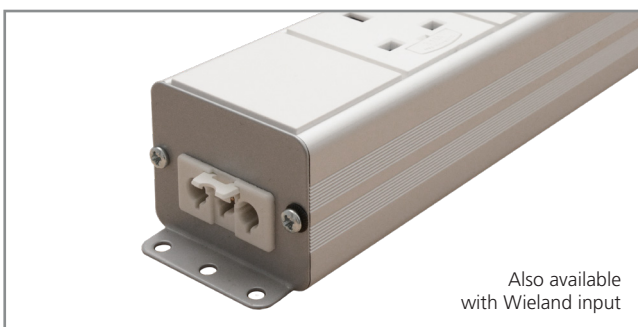
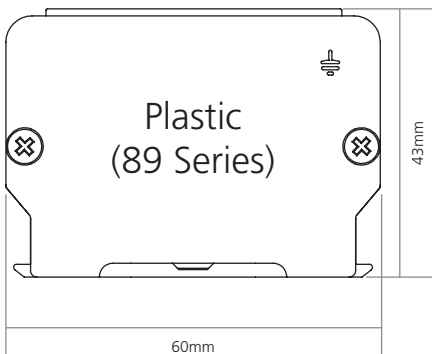
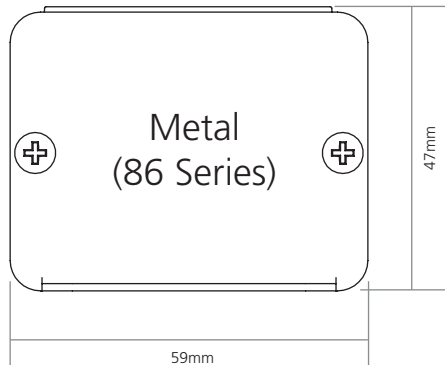
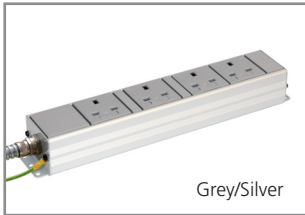
Conduit

- Metal

Switching

- Neon indicator
- Single pole (with or without neon)
- Double pole (with or without neon)





Build it your way

Please see page 31 for more information.



Manage your energy

Configure to allow energy to be monitored and controlled with Footprint. See page 73 for more details.

Standard Earth

UK Code	Schuko Code	Description
86KS01	n/a	Standard 5m 32A Unfused Tap Off BSX3325H, 13A Fuse, 4 x UK sockets, end cap
86KS03	n/a	Standard 5m 32A Unfused Tap Off BSX3325H, 13A Fuse, switch, 4 x UK sockets, end cap
86KS02	n/a	Standard 5m 32A Unfused Tap Off BSX3325H, 13A Fuse, 6 x UK sockets, end cap
86KS04	n/a	Standard 5m 32A Unfused Tap Off BSX3325H, 13A Fuse, switch, 6 x UK sockets, end cap
86KS05	n/a	Standard 5m 32A Unfused Tap Off BSX3325H, 16A 30mA RCBO, 4 x UK sockets, end cap
86KS06	n/a	Standard 5m 32A Unfused Tap Off BSX3325H, 16A 30mA RCBO, 6 x UK sockets, end cap

Clean Earth

UK Code	Schuko Code	Description
86KC01	n/a	Clean Earth 5m 32A Unfused Tap Off BCX4325H, 13A Fuse, 4 x UK sockets, end cap
86KC03	n/a	Clean Earth 5m 32A Unfused Tap Off BCX4325H, 13A Fuse, switch, 4 x UK sockets, end cap
86KC02	n/a	Clean Earth 5m 32A Unfused Tap Off BCX4325H, 13A Fuse, 6 x UK sockets, end cap
86KC04	n/a	Clean Earth 5m 32A Unfused Tap Off BCX4325H, 13A Fuse, switch, 6 x UK sockets, end cap
86KC05	n/a	Clean Earth 5m 32A Unfused Tap Off BCX4325H, 16A 30mA RCBO, 4 x UK sockets, end cap
86KC06	n/a	Clean Earth 5m 32A Unfused Tap Off BCX4325H, 16A 30mA RCBO, 6 x UK sockets, end cap

See page 86 for information on CMD tap offs.

Note: We only supply mains fuse holders in black and white. If you require your Conti unit to be colour matched in grey our MCB is available in grey and white and is a good alternative to our fuse holder – please ask for details.

Data Cables: CMD cannot accept any responsibility or liability for providing HDMI performance in products supplied over 5m in length.