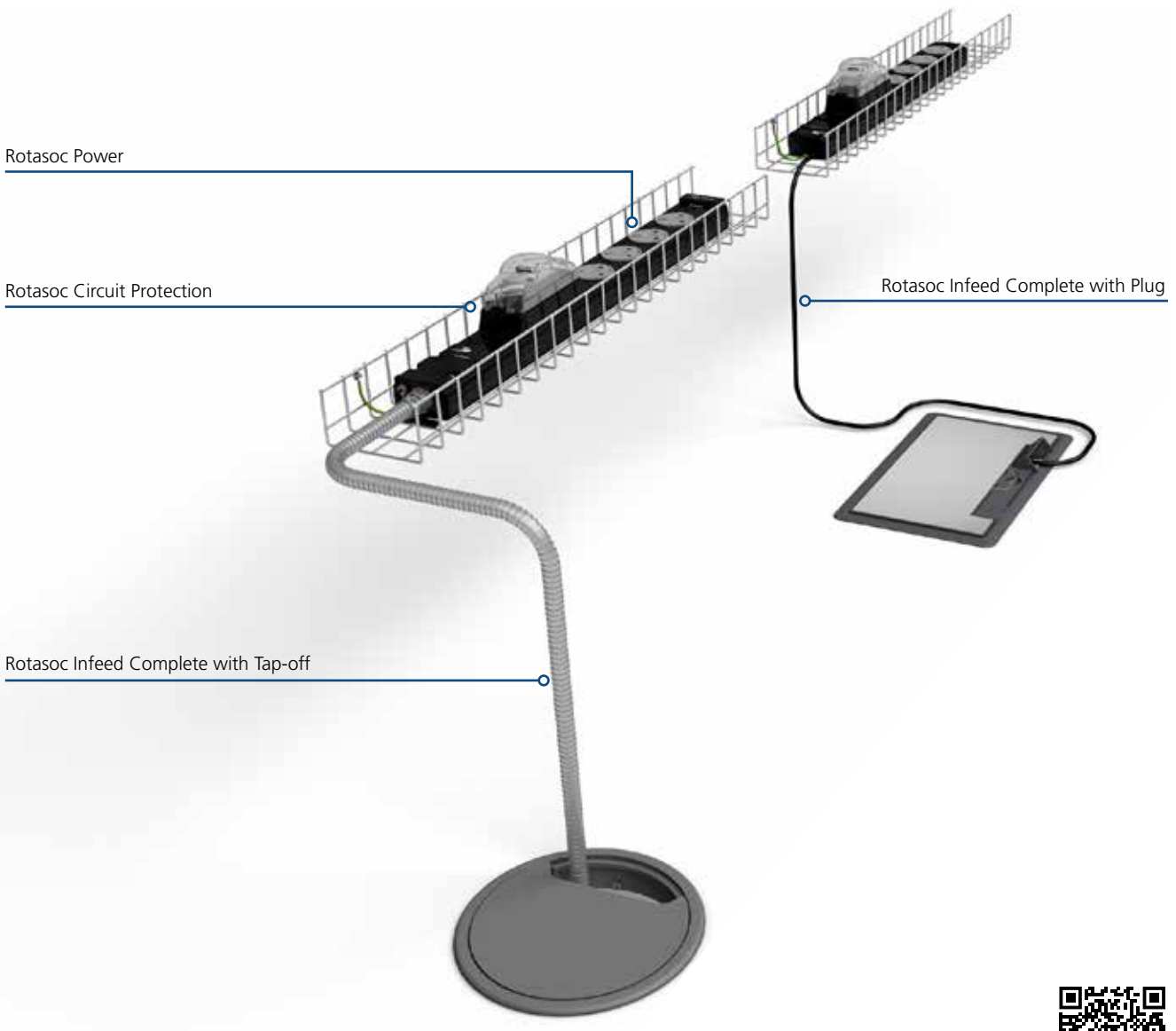


Rotasoc® Modular Power System

Rotasoc is a modular and reconfigurable workstation power system that allows compliance with BS 7671 Requirements for electrical installations or BS 6396 Electrical systems in office furniture and educational furniture. Rotasoc is BSI Kitemark accredited and is tested every six months.

Rotasoc can cater for Standard and Clean Earth (C/E) low noise systems and provides complete flexibility to your workstation layout. Available in both 32A and 16A versions Rotasoc has uniquely designed socket modules with 32A internal busbars that do not require internal wiring, offering unlimited 360 degree socket rotation.

Rotasoc has an intuitive, quick, and simple “fast-fit” installation method that reduces on-site labour costs.



Please scan the barcode to view our Rotasoc animation.



Rotasoc® Technical Information

Benefits and Features

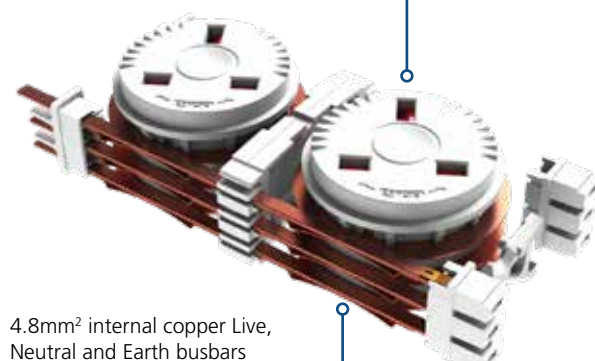
The benefits of using CMD's Rotasoc:

- A comprehensive range of interchangeable modules.
- Ultrasonically sealed units.
- Fast-fit modular system.
- Socket modules allow unlimited socket rotation due to busbar.
- Lever latching for secure connection between modules.
- Concealed screw fixings.

Features:

Standard Earth

Unlimited rotation



4.8mm² internal copper Live, Neutral and Earth busbars

Colour coded and keyed connections to prevent different system from being connected

Clean Earth (C/E) Low Noise

4.8mm² internal copper Live, Neutral and Clean Earth busbars

Unlimited rotation



Colour coded and keyed connections to prevent different system from being connected

Rotasoc Latching System



1. On the rear face, release the lever with a suitable tool.

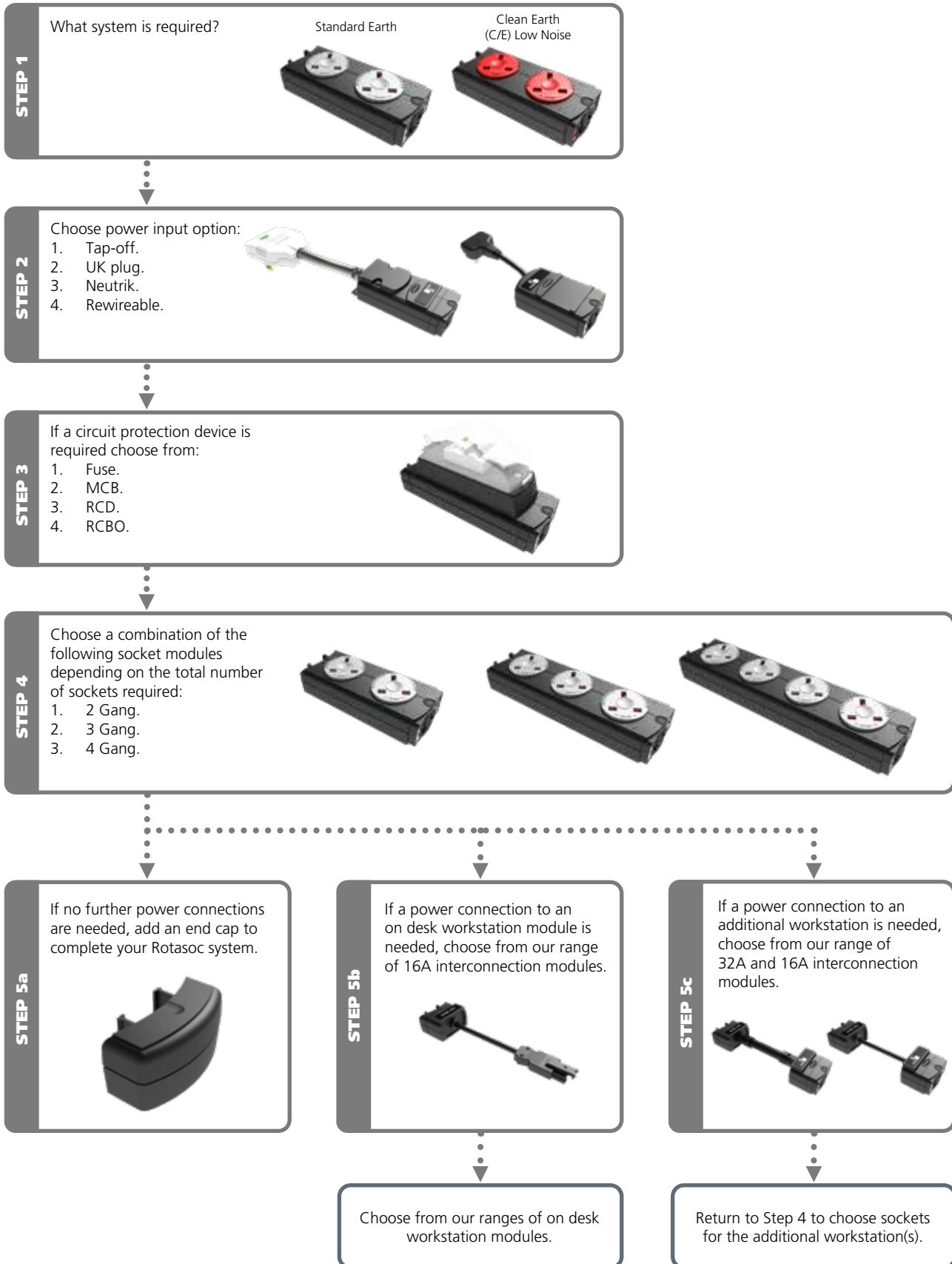


2. Connect the male and female ends together. Both ends must be colour matched.



3. Once connected, push back the lever so it sits flush with the surface to lock modules together.

Rotasoc® Specification Guide



Rotasoc® Example Layouts

Layout 1

Single desk: 13A UK plug feeding 4 gang module.



Layout 2

Single desk: Betatrak Tap-off plug feeding 4 gang module.



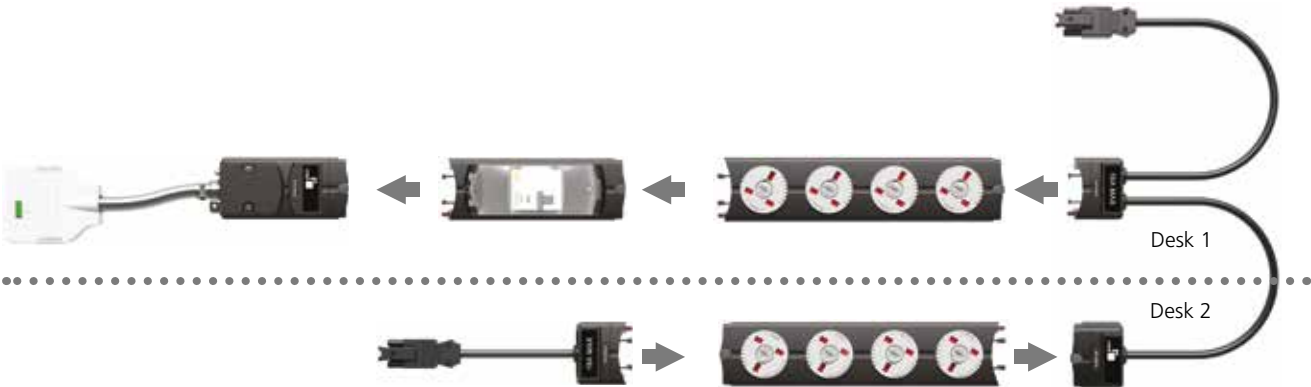
Layout 3

Single desk: Betatrak Tap-off plug feeding 4 gang module with feed for on desk.



Layout 4

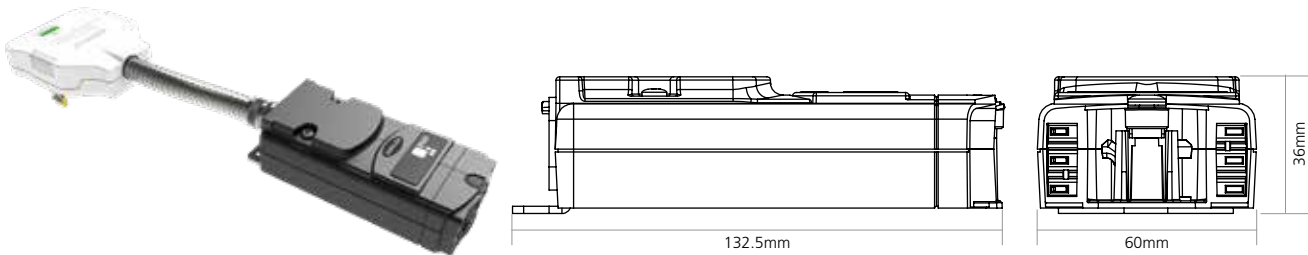
Multiple desks: Betatrak Tap-off plug feeding 4 gang modules with feeds for on desk power.



Rotasoc® Infeed

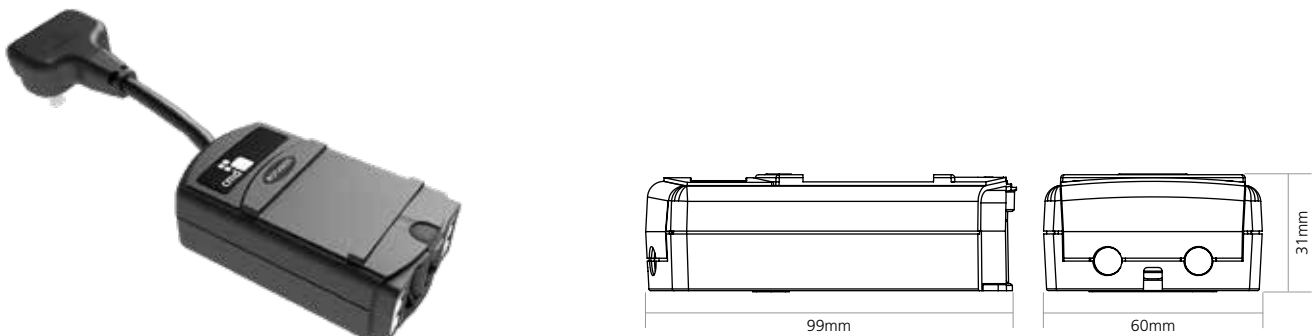
Rotasoc infeed modules allow connectivity from small power distribution to a workstation. Available in both 32A and 16A versions and can cater for Standard and Clean Earth (C/E) low noise systems.

32A Infeed



Code	32A Infeed Modules Standard Earth	Code	32A Infeed Modules Clean Earth
RAB301	32A Rewirable Infeed	RAC301	32A Rewirable Infeed
RAB111	32A Infeed c/w 3m 32A Unfused Betatrak Tap-off	RAC111	32A Infeed c/w 3m 32A Unfused Betatrak Tap-off
RAB112	32A Infeed c/w 5m 32A Unfused Betatrak Tap-off	RAC112	32A Infeed c/w 5m 32A Unfused Betatrak Tap-off
RAB113	32A Infeed c/w 3m 13A Fused Betatrak Tap-off	RAC113	32A Infeed c/w 3m 13A Fused Betatrak Tap-off
RAB114	32A Infeed c/w 5m 13A Fused Betatrak Tap-off	RAC114	32A Infeed c/w 5m 13A Fused Betatrak Tap-off
RABX2165	32A Infeed c/w 3-pole 32A Black Neutrik Note: The total length of this unit is 143.2mm	RACX2134	32A Infeed c/w 5-pole 32A Grey Neutrik Note: The total length of this unit is 143.2mm
RABX2024	32A Infeed c/w 5m 32A Unfused Betatrak SY Flexible Cable Tap-off	RACX2095	32A Infeed c/w 5m 32A Unfused Betatrak SY Flexible Cable Tap-off

16A Infeed



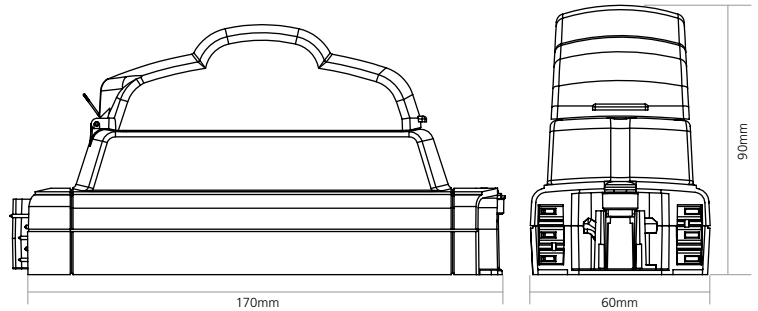
Code	16 Infeed Modules Standard Earth	Code	16 Infeed Modules Clean Earth
RAB201	16A Rewirable Infeed	RAC201	16A Rewirable Infeed
RAB003	16A Infeed c/w 3m Lead and 13A BS 1363 Plug	RAC003	16A Infeed c/w 3m Lead and 13A BS 1363 Plug
RAB005	16A Infeed c/w 5m Lead and 13A BS 1363 Plug	RAC005	16A Infeed c/w 5m Lead and 13A BS 1363 Plug

Note: Rotasoc® is also available as a Dual System. Please call our sales team for more information.

Rotasoc® Circuit Protection

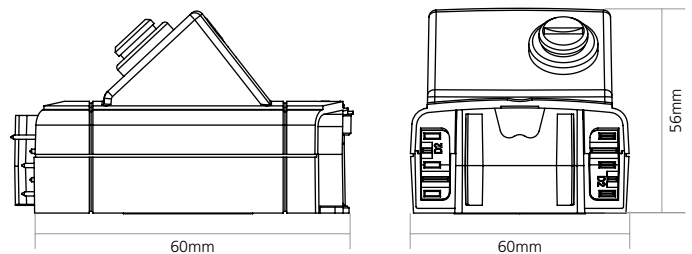
Rotasoc circuit protection modules available in both 32A and 16A versions and can cater for Standard and Clean Earth (C/E) low noise systems.

RCD/MCB/RCBO Protection



Code	Protection Modules Standard Earth	Code	Protection Modules Clean Earth
RAB405	32A 30mA RCD	RAC405	32A 30mA RCD
RAB420	16A MCB Type C	RAC420	16A MCB Type C
RAB450	16A 30mA RCBO Type C	RAC450	16A 30mA RCBO Type C
RAB460	20A 30mA RCBO Type C	RAC460	20A 30mA RCBO Type C
RAB470	32A 30mA RCBO Type C	RAC470	32A 30mA RCBO Type C

Fused Protection

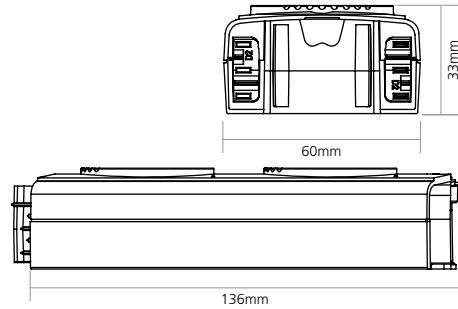


Code	Switched/Fused Protection Modules Standard Earth	Code	Switched/Fused Protection Modules Clean Earth
RAB401	BS1362 13A Fuse	RAC401	BS1362 13A Fuse
RAB402	BS1362 13A Fuse and Neon Switch	RAC402	BS1362 13A Fuse and Neon Switch
RAB403	BS1362 13A Fuse and Neon Indicator	RAC403	BS1362 13A Fuse and Neon Indicator

Note: Rotasoc® is also available as a Dual System. Please call our sales team for more information.

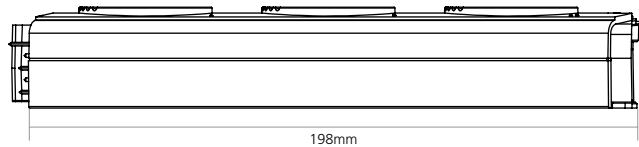
Rotasoc® Power Modules

Rotasoc socket modules are uniquely designed with 32A internal busbars that do not require internal wiring and offering unlimited 360° socket rotation. The socket modules can cater for Standard and Clean Earth (C/E) low noise systems.



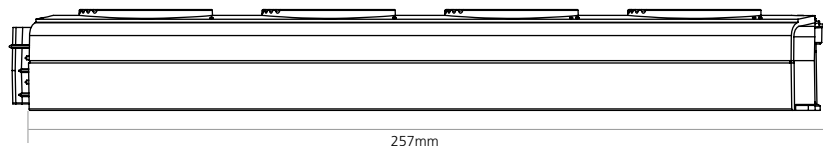
Code	Socket Modules Standard Earth
RAB502	2 Gang Non-fused Grey Socket
RAB532	2 Gang 3.15A Individually Fused Grey Socket
RAB552	2 Gang 5A Individually Fused Grey Socket

Code	Socket Modules Clean Earth
RAC502	2 Gang Non-fused Red Socket
RAC532	2 Gang 3.15A Individually Fused Red Socket
RAC552	2 Gang 5A Individually Fused Red Socket



Code	Socket Modules Standard Earth
RAB503	3 Gang Non-fused Grey Socket
RAB533	3 Gang 3.15A Individually Fused Grey Socket
RAB553	3 Gang 5A Individually Fused Grey Socket

Code	Socket Modules Clean Earth
RAC503	3 Gang Non-fused Red Socket
RAC533	3 Gang 3.15A Individually Fused Red Socket
RAC553	3 Gang 5A Individually Fused Red Socket



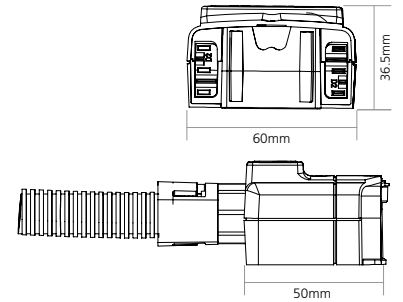
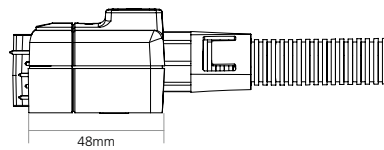
Code	Socket Modules Standard Earth
RAB504	4 Gang Non-fused Grey Socket
RAB534	4 Gang 3.15A Individually Fused Grey Socket
RAB554	4 Gang 5A Individually Fused Grey Socket

Code	Socket Modules Clean Earth
RAC504	4 Gang Non-fused Red Socket
RAC534	4 Gang 3.15A Individually Fused Red Socket
RAC554	4 Gang 5A Individually Fused Red Socket

Note: Rotasoc® is also available as a Dual System. Please call our sales team for more information.

Rotasoc® Interconnect

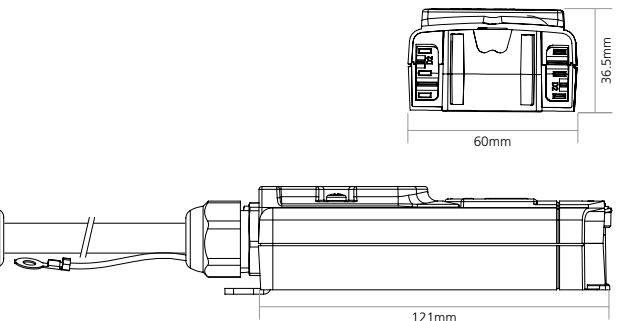
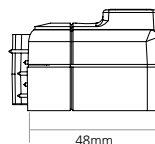
32A Interconnect



Code	32 Amp Interconnects Standard Earth
RAB703	0.3m 32A Male to Female Interconnecting Nylon Conduit
RAB705	0.5m 32A Male to Female Interconnecting Nylon Conduit
RAB710	1m 32A Male to Female Interconnecting Nylon Conduit
RAB720	2m 32A Male to Female Interconnecting Nylon Conduit
RAB730	3m 32A Male to Female Interconnecting Nylon Conduit
RAB750	5m 32A Male to Female Interconnecting Nylon Conduit

Code	32 Amp Interconnects Clean Earth
RAC703	0.3m 32A Male to Female Interconnecting Nylon Conduit
RAC705	0.5m 32A Male to Female Interconnecting Nylon Conduit
RAC710	1m 32A Male to Female Interconnecting Nylon Conduit
RAC720	2m 32A Male to Female Interconnecting Nylon Conduit
RAC730	3m 32A Male to Female Interconnecting Nylon Conduit
RAC750	5m 32A Male to Female Interconnecting Nylon Conduit

32A Interconnect (Earthed)



Code	32 Amp Interconnects Standard Earth
RABX2241	2m 32A Male to Female (with external earth) Interconnecting Cable

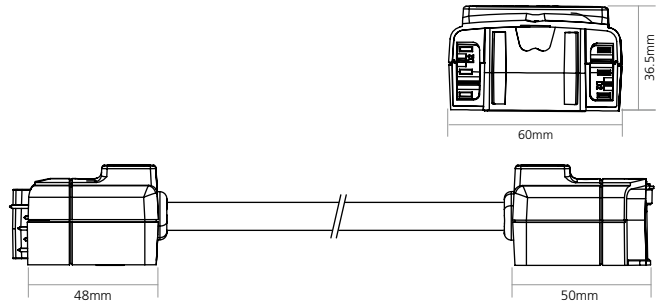
Code	32 Amp Interconnects Clean Earth
RACX2199	2m 32A Male to Female (with external earth) Interconnecting Cable

Note: Rotasoc® is also available as a Dual System. Please call our sales team for more information.

Rotasoc® Interconnect

Circuit protection must be used for 16A Rotasoc interconnection modules if the supply is 32A.

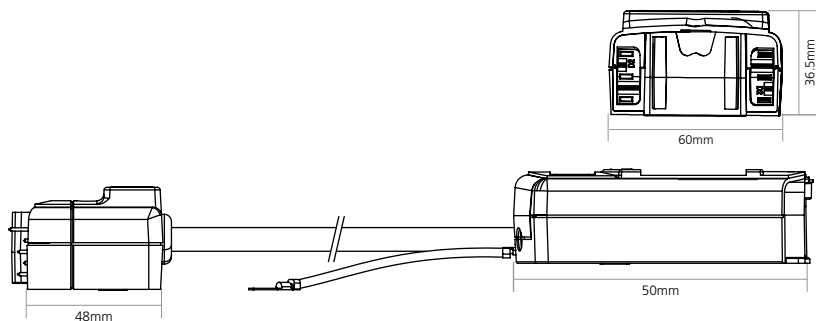
16A Interconnect



Code	16Amp Interconnects Standard Earth
RAB603	0.3m 16A Male to Female Interconnecting Cable
RAB605	0.5m 16A Male to Female Interconnecting Cable
RAB610	1m 16A Male to Female Interconnecting Cable
RAB620	2m 16A Male to Female Interconnecting Cable
RAB630	3m 16A Male to Female Interconnecting Cable
RAB650	5m 16A Male to Female Interconnecting Cable
RAB670GST	0.5m 16A Rotasoc Male to GST Female output
RABX2184	16A Male split interconnect 0.5m to GST Female Output 2m to Female Rotasoc

Code	16 Amp Interconnects Clean Earth
RAC603	0.3m 16A Male to Female Interconnecting Cable
RAC605	0.5m 16A Male to Female Interconnecting Cable
RAC610	1m 16A Male to Female Interconnecting Cable
RAC620	2m 16A Male to Female Interconnecting Cable
RAC630	3m 16A Male to Female Interconnecting Cable
RAC650	5m 16A Male to Female Interconnecting Cable
RAC670GST	0.5m 16A Rotasoc Male to GST Female Output
RACX2120	16A Male split interconnect 0.5m to GST Female Output 2m to Female Rotasoc

16A Interconnect (Earthed)

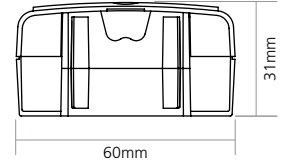
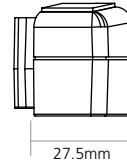


Code	16Amp Interconnects Standard Earth
RABX2230	2m 16A Male to Female (with external earth) Interconnecting Cable

Code	16 Amp Interconnects Clean Earth
RACX2193	2m 16A Male to Female (with external earth) Interconnecting Cable

Note: Rotasoc® is also available as a Dual System. Please call our sales team for more information.

Rotasoc® End Cap



Code	End Cap
RAZ001	End Cap

Rotasoc® Earth Cables

Code	Earth Cable Kits
RAZ020	250mm x 4.0mm Earth Cable Kit c/w Fixings for 32A Infeed
RAZ010	250mm x 1.5mm Earth Cable Kit c/w Fixings for 16A Infeed