



Black Box™ Distribution

Features:

- Compact aesthetic modular Power Distribution Unit (PDU) for the distribution of power within office furniture installations.
- Incoming supply via a modular mains supply 32A connector complying with BS EN 61984, allowing speedy installation.
- Incoming circuit protection device options by either a 32A RCD (overload protection up stream) or 32A RCBO.
- Up to 8 outgoing circuits, individually protected by 6, 10 or 16 amp MCB's, available in 4, 6 or 8 module variations.
- Outgoing circuit connected from the PDU by Wieland ST18 or GST18 connectors in either 3 pole (Standard Earth) or 4 pole (Clean Earth).
- All MCB's are accessible through a clear hinged cover which has the option of being lockable or accessible by the use of a tool only.
- Stylish design, ideal for commercial offices, health care and education projects where the PDU may be sited in public accessible areas.
- Products are CE Marked conforming to the requirements of BS5733.

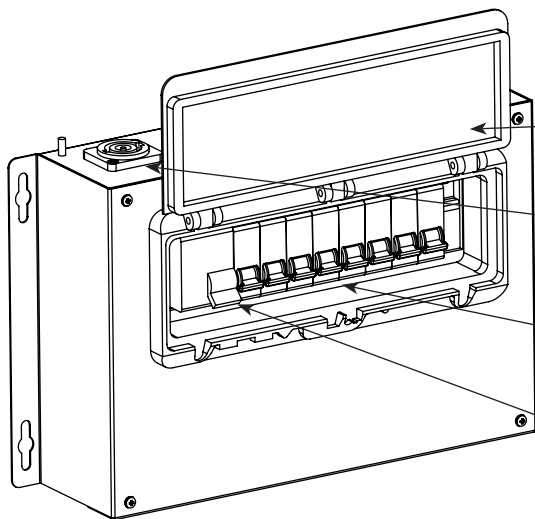


fig 1.

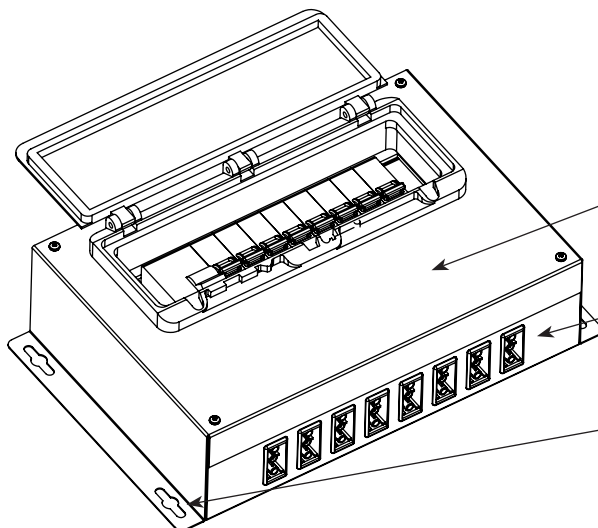


fig 2.

Transparent cover.

Neutrik socket.

MCB
(6, 10 or 16 amp).

Incoming circuit
protection.

Stylish black case.

Wieland outlets.

Screw fixing holes.

Black Box Variations and Dimensions

Black Box can be manufactured to house 4, 6 or 8 Wieland sockets with individual protection.

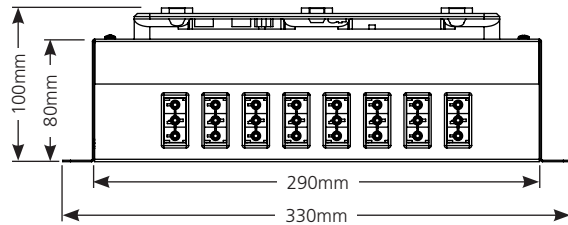


fig 3.

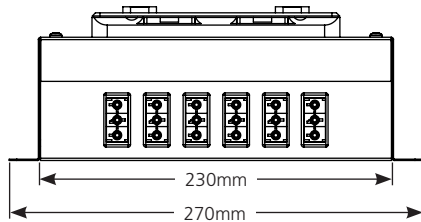


fig 4.

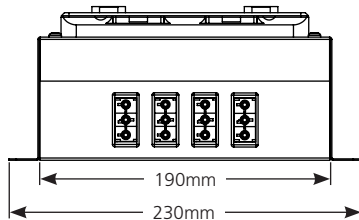


fig 5.

Cleaning, Storage & Maintenance

Service Components	Available to order.
Cleaning & Maintenance	Dry cloth, no abrasives or solvents to be used on the module surface.
Handling & Storage	Do not drop or expose to moisture.

Warning

Do not use this product for any purpose other than which it was designed for.

All electrical equipment should be fitted by a qualified electrician or competent person in accordance with BS7671:2001 (IEE Wiring Regulations) and BS6396 Electrical Systems in Office Furniture and Educational Furniture.

The box should be fitted securely to the wall or surface and the power turned off before connecting the Neutrik and Wieland sockets.

The incoming circuit protection should be tested before the product is used.

Black Box Installation

fig 6.

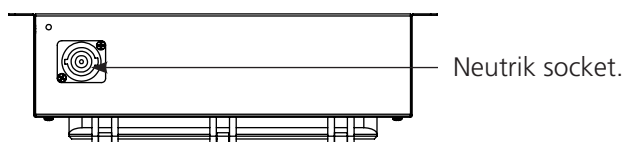


fig 7.

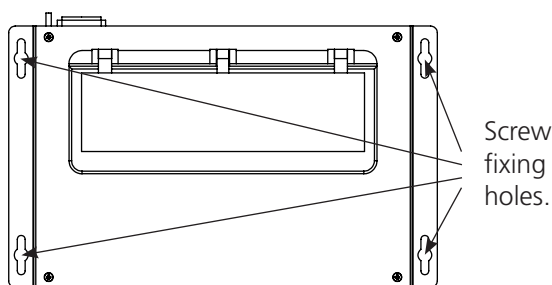
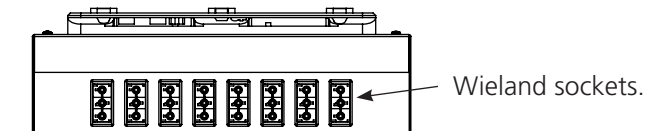


fig 8.



Black Box can be mounted vertically or horizontally, to any wall or surface.

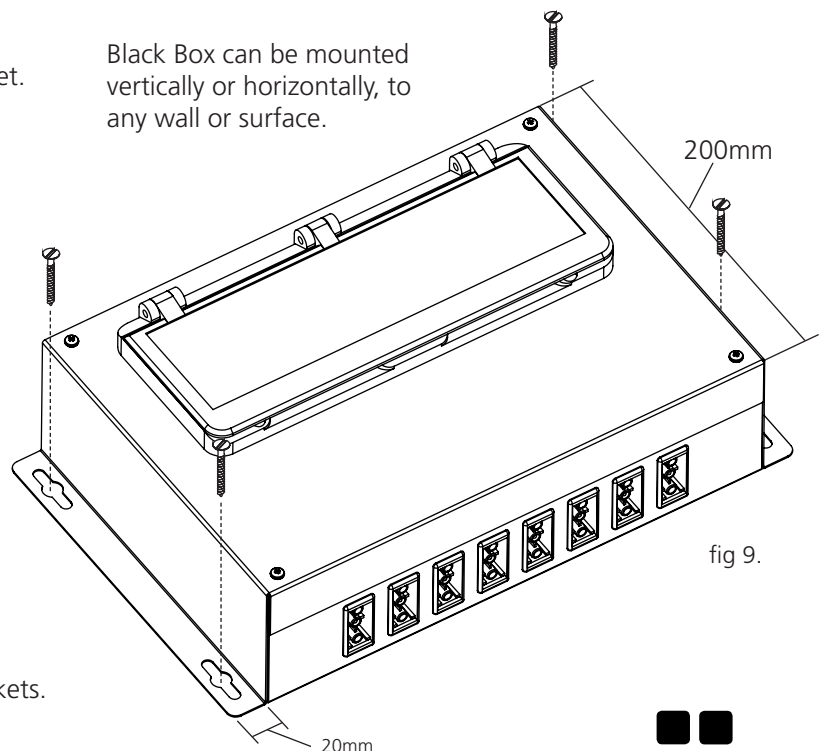


fig 9.